



WINTER- 14 EXAMINATION

Subject Code: 17205

Subject : Engineering Drawing

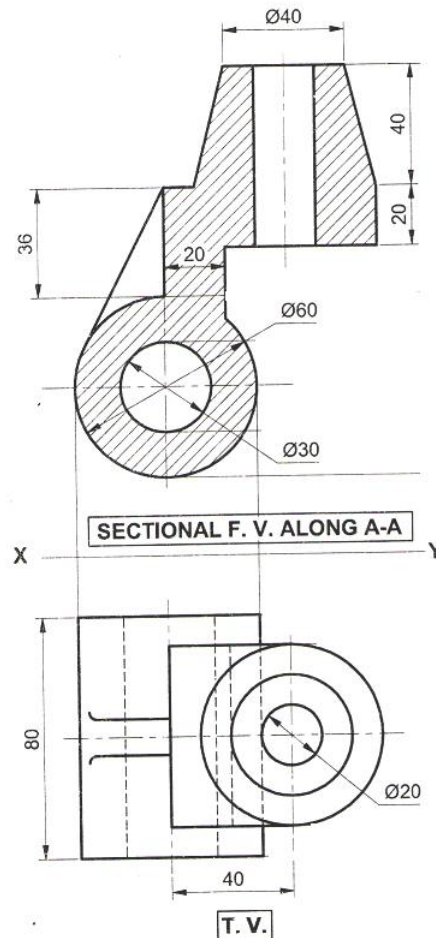
Model Answer

**Important Instructions to examiners:**

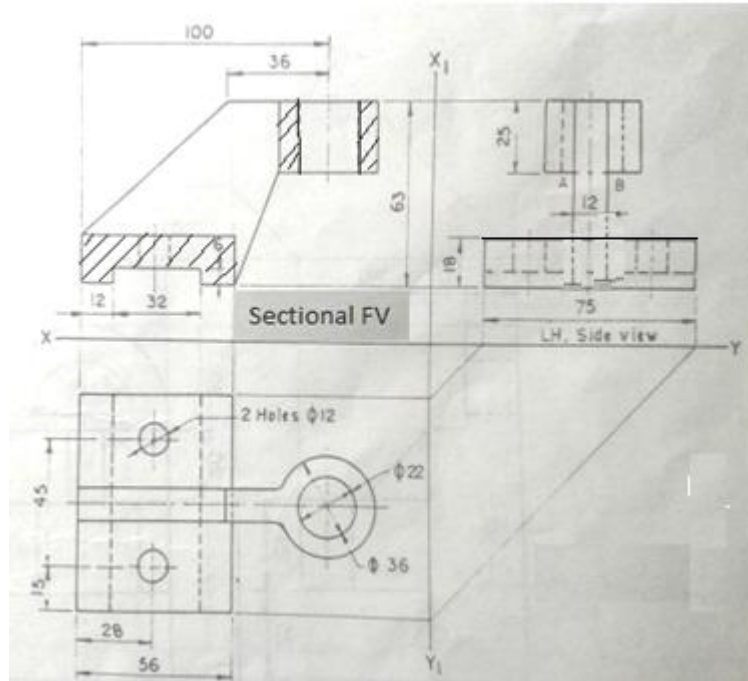
- 1) The answers should be examined by key words and not as word-to-word as given in the model answer scheme.
- 2) The model answer and the answer written by candidate may vary but the examiner may try to assess the understanding level of the candidate.
- 3) The language errors such as grammatical, spelling errors should not be given more Importance (Not applicable for subject English and Communication Skills).
- 4) While assessing figures, examiner may give credit for principal components indicated in the figure. The figures drawn by candidate and model answer may vary. The examiner may give credit for any equivalent figure drawn.
- 5) Credits may be given step wise for numerical problems. In some cases, the assumed constant values may vary and there may be some difference in the candidate's answers and model answer.
- 6) In case of some questions credit may be given by judgement on part of examiner of relevant answer based on candidate's understanding.
- 7) For programming language papers, credit may be given to any other program based on equivalent concept.

Q. 1 a)

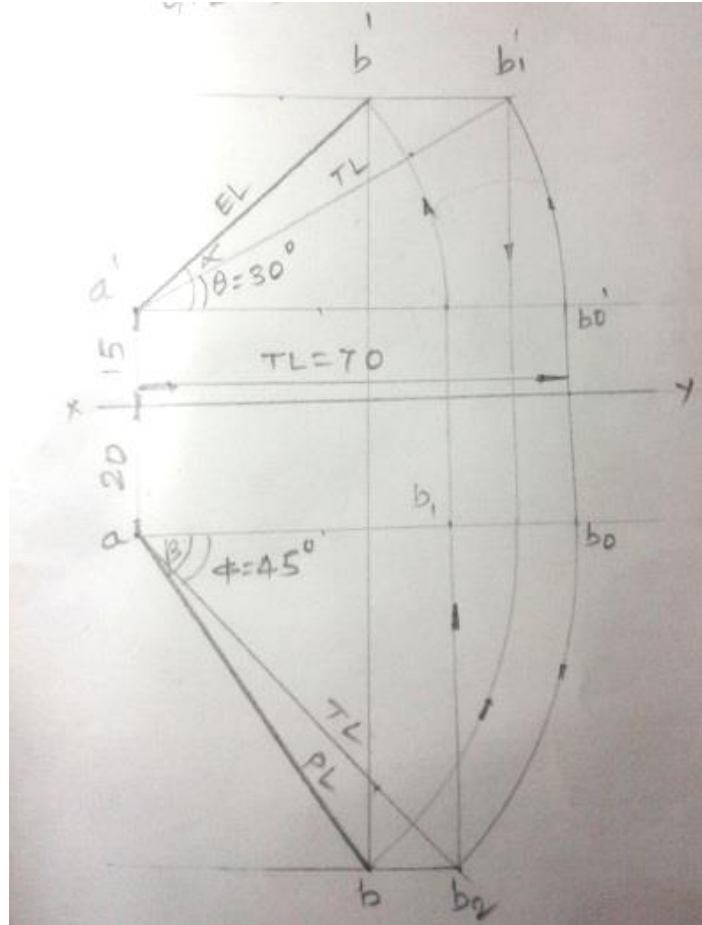
**SECTIONAL F. V. 06 MARKS and T.V. 04 MARKS**



Q. 1 b) S. F. V. 04 MARKS, SV. 04 MARKS and T.V. 02 MARKS

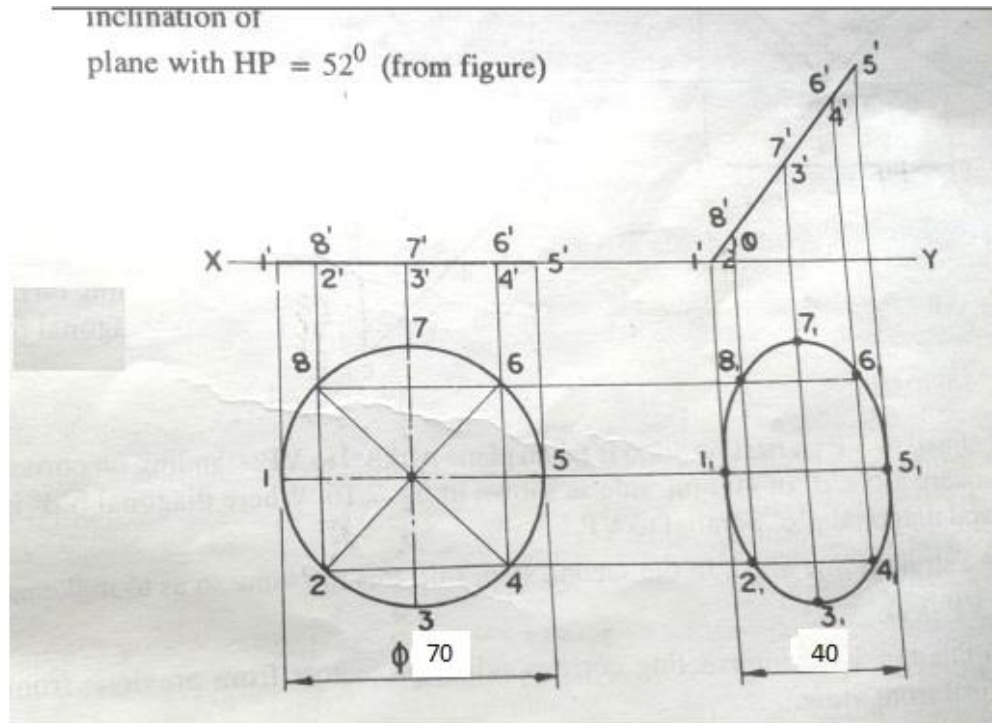


Q. 2 (a) Correct solution 08 marks



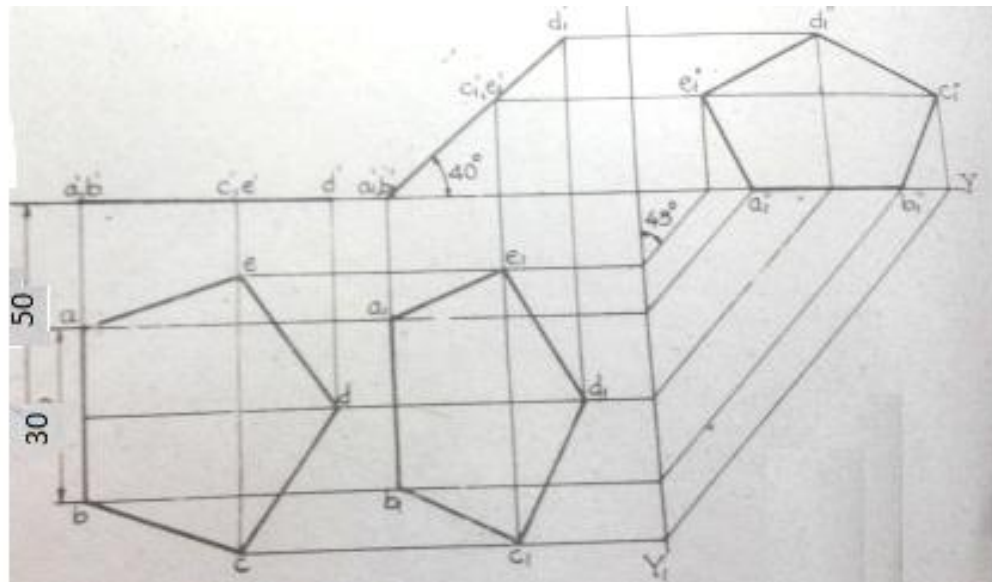
Q. 2(b) (i)

Initial stage 2 marks, final stage 6 marks



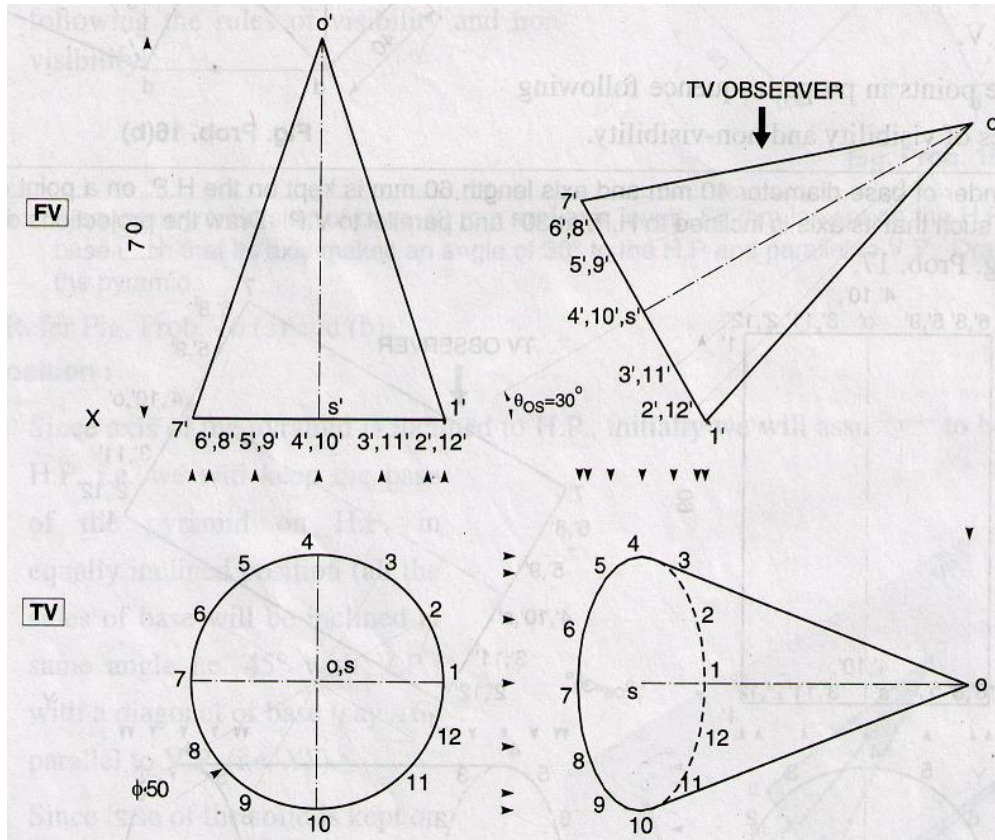
Q. 2 (b) (ii)

Initial stage 2 marks, final stage 6 marks



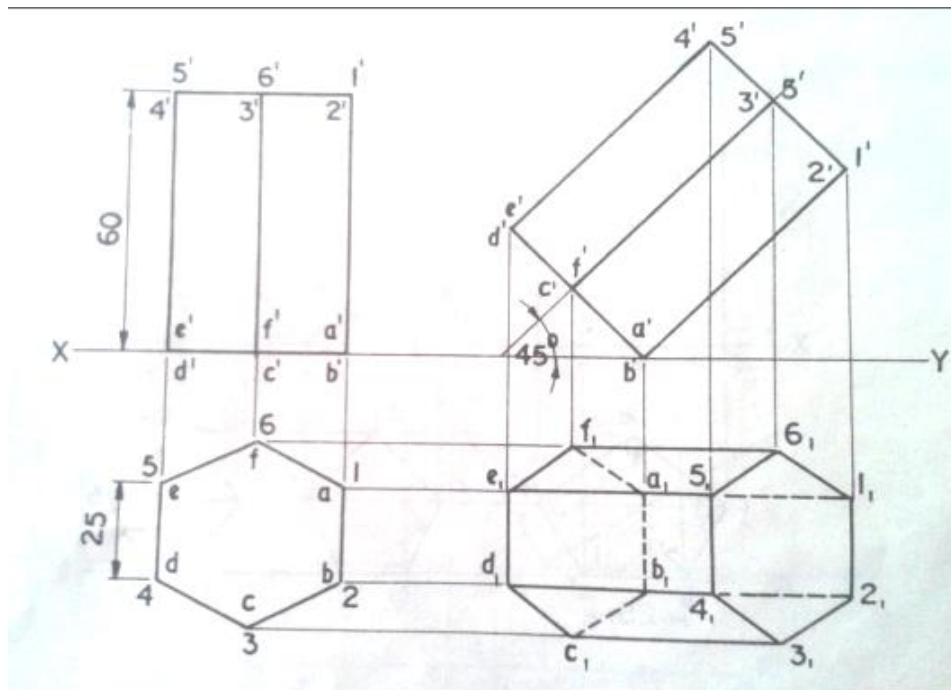
Q. 3 a)

Initial stage 2 marks, final stage 6 marks

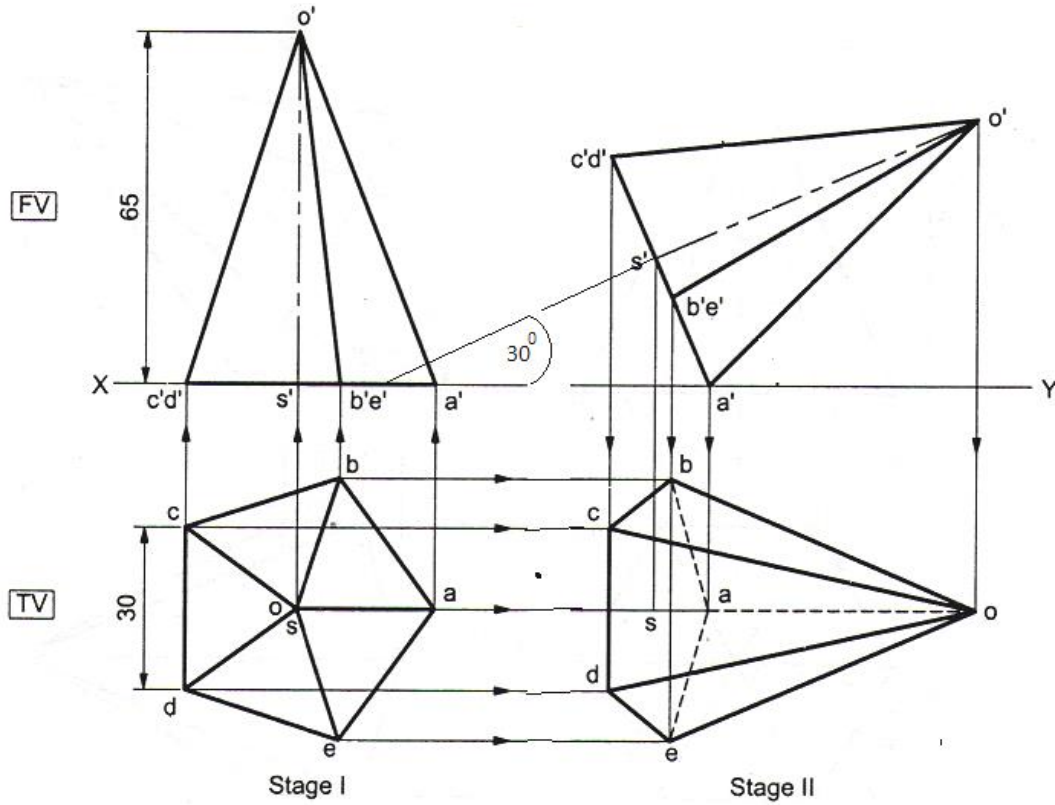


3 b)

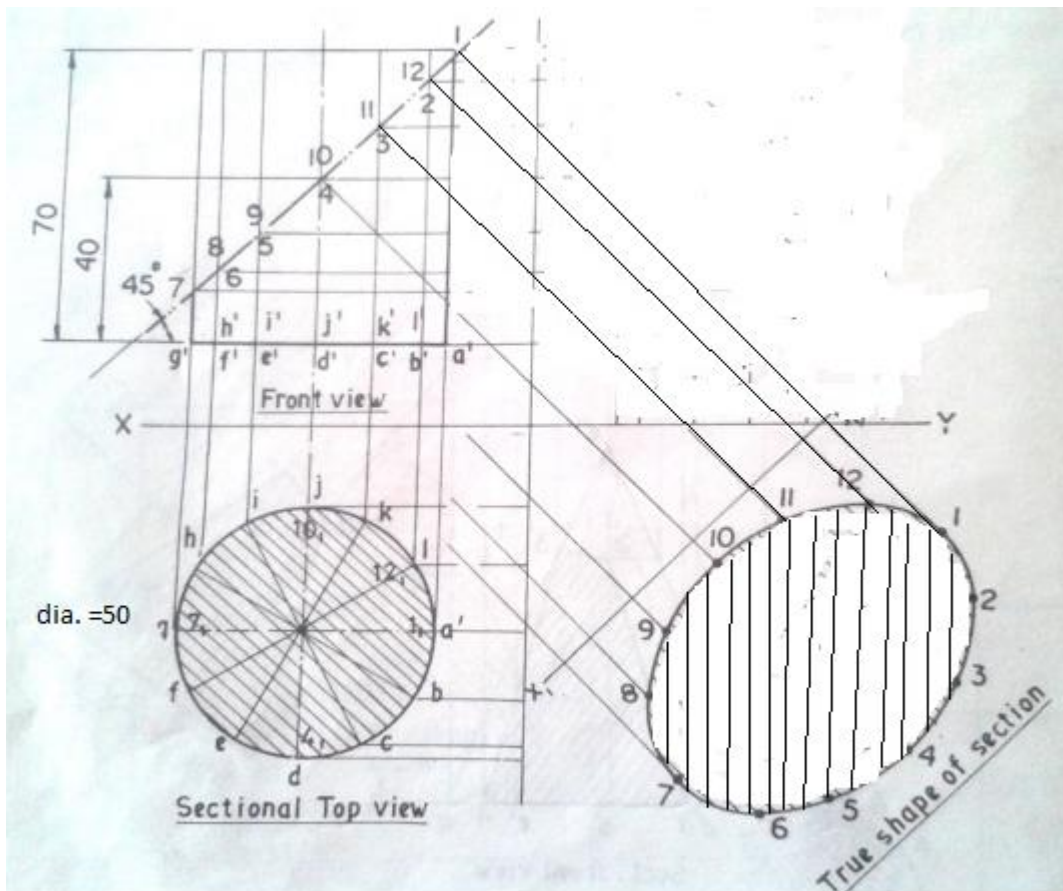
Initial stage 2 marks, final stage 6 marks



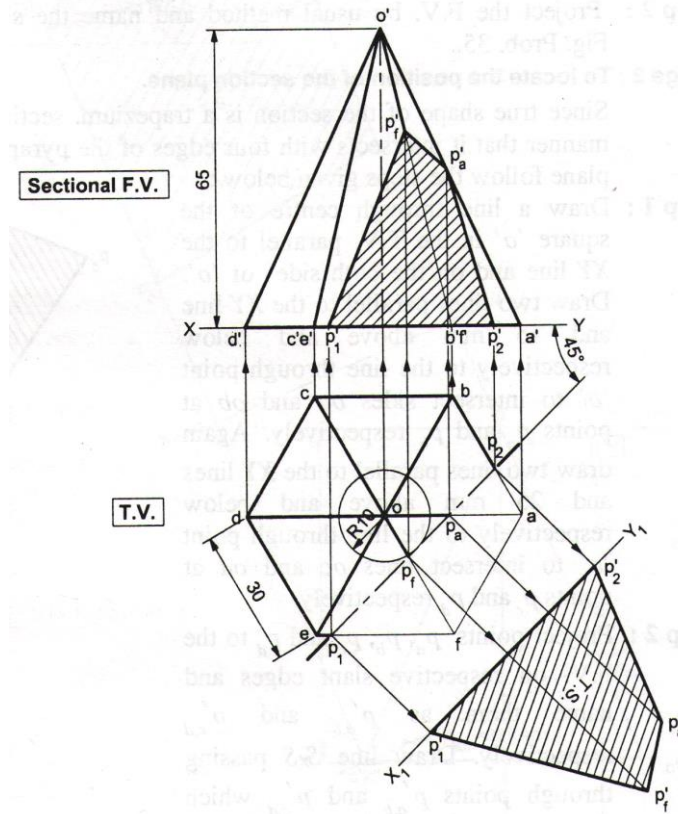
Q. 3 c Stage one 2 marks, stage two 6 marks



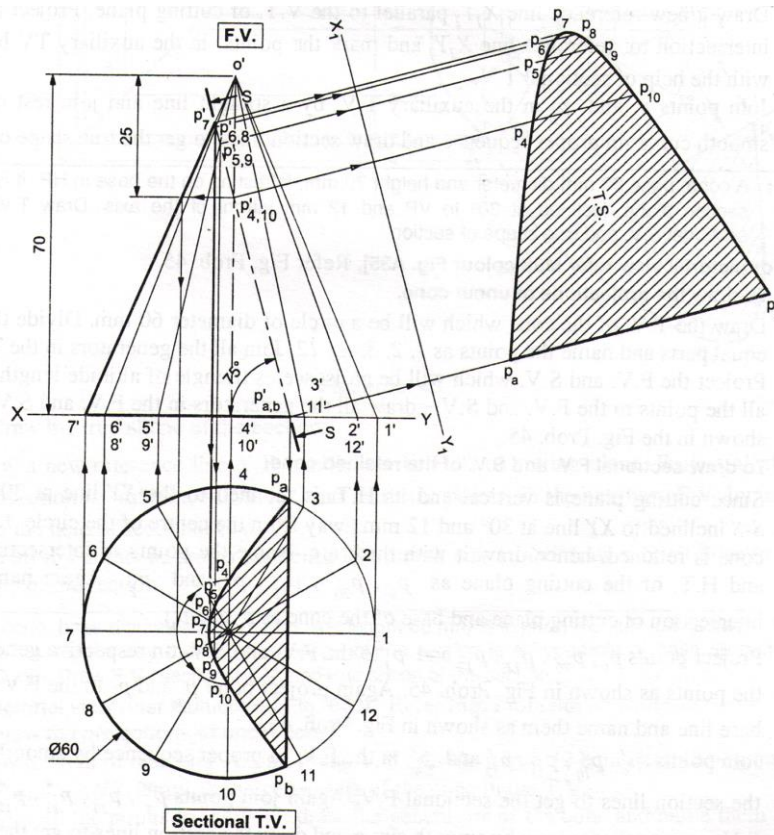
Q. 4 a) FV 2 marks, sectional TV 2 marks, TSS 4 marks



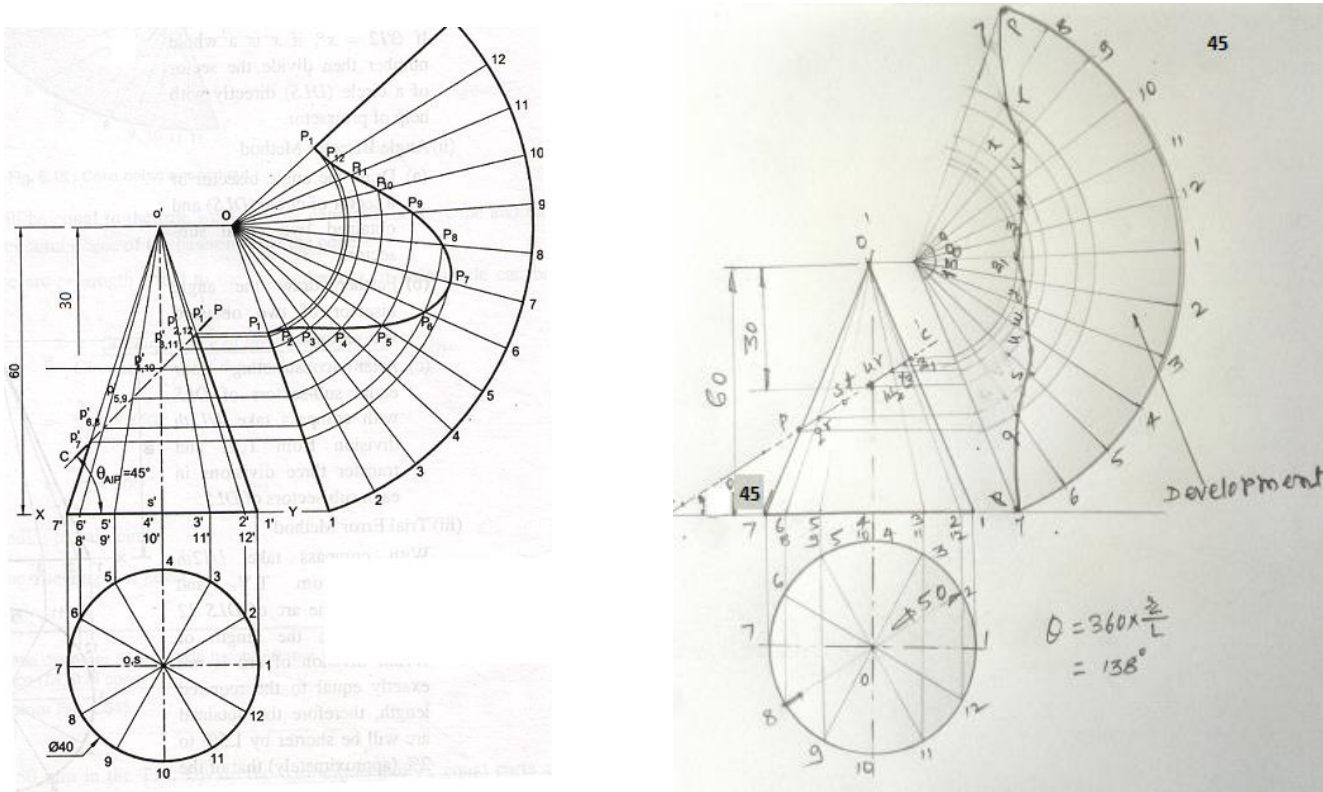
Q. 4 b) SFV 4 marks, TV 2 Marks, TSS 2 marks



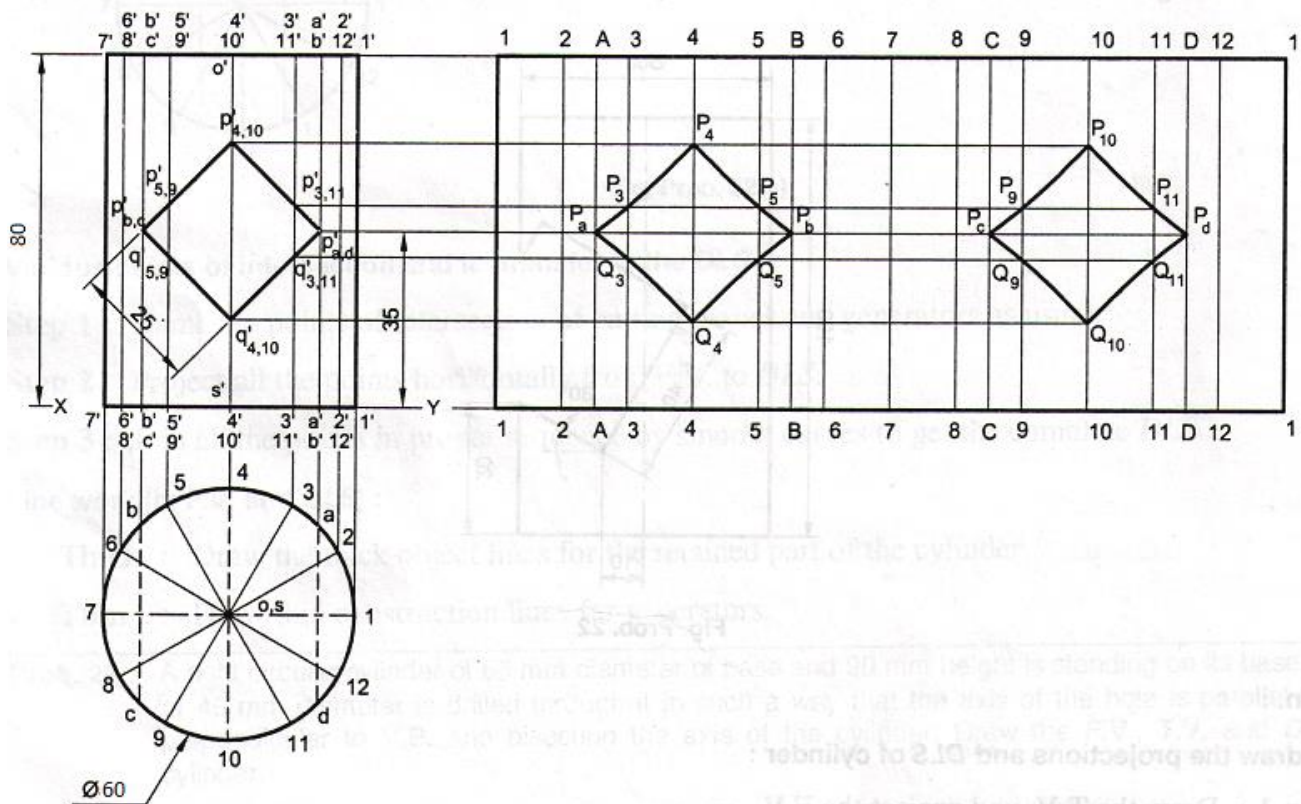
Q. 4 c) FV 2 marks, STV 4 Marks, TSS 2 marks



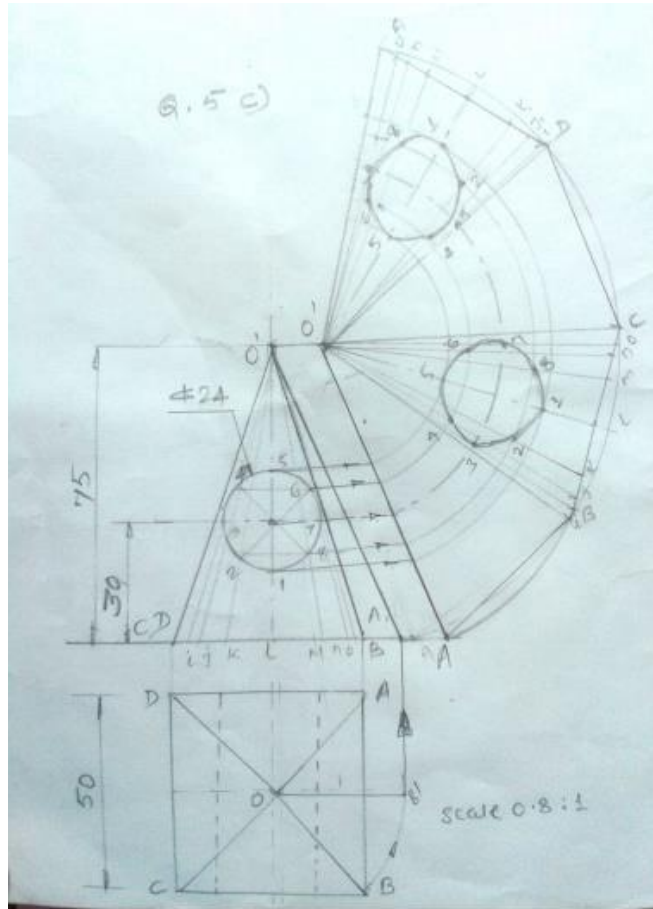
Q. 5 a) Top view 02 marks, F.V. 02 marks and development 04 marks



Q. 5 b) Top view 02 marks, F.V. 02 marks and development 04 marks

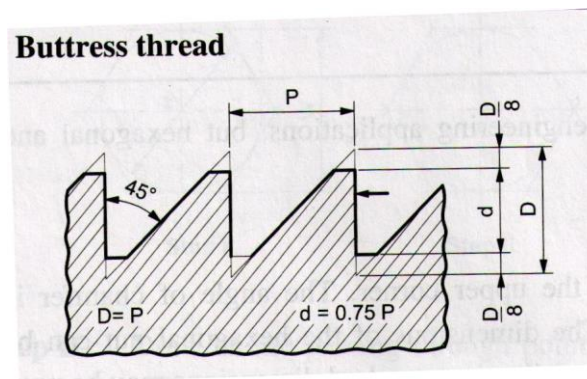


Q. 5 c) Top view 02 marks, F.V. 02 marks and development 04 marks



Q. 6 a) Buttress thread

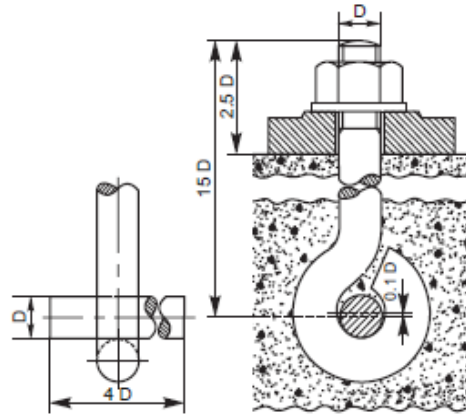
04 marks





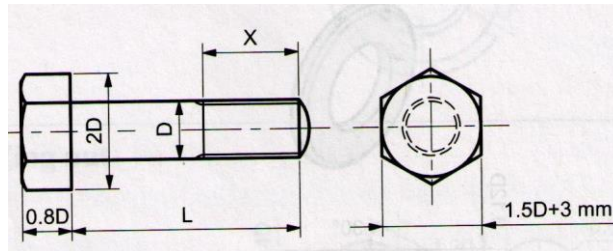
Q. 6 b) Eye foundation bolt

04 marks



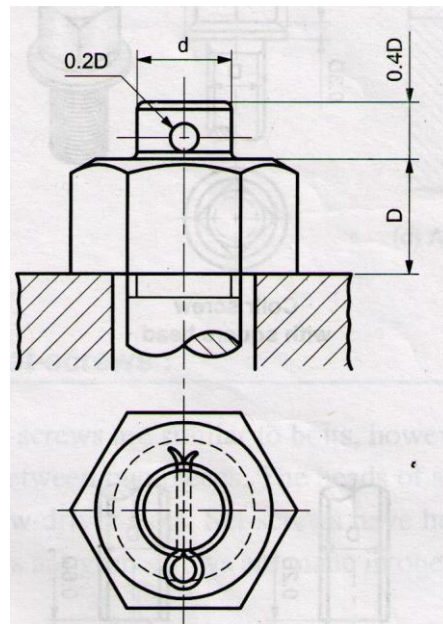
Q. 6 c) Hexagonal headed bolt

04 marks



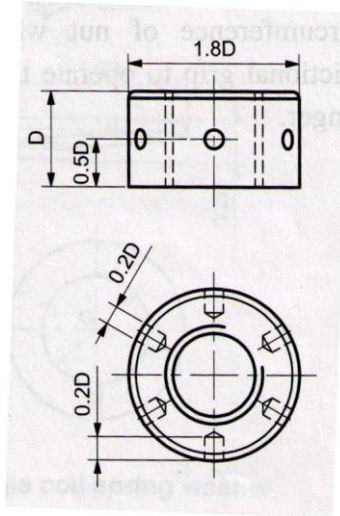
Q.6 d) Locking by split pin

04 marks



Q. 6 e) Capstan nut

04 marks



Q. 6 f) Single riveted lap joint

04 marks

